

# 样品承认书



*SAMPLES SPECIFICATION FOR APPROVAL*

*Switching power Supply/开关电源*

客户:

CUSTOMER: \_\_\_\_\_

产品描述:

DESCRIPTION: Input:100-240V ~ 50-60Hz Output: **DC5V3A**

机种型号:

OUR MODEL NO: \_\_\_\_\_ **J151-0503000IX**

样品编号:

日期:

SAMPLE NO: \_\_\_\_\_

DATE: **2020-05-11**

客户编码:

产品颜色/SAMPLE COLOR:

Customer part number: \_\_\_\_\_ **Black**  **White**

APPROVAL SIGNATURE/客户确认		
核准/APPROVED BY	审核/CHECKED BY	检测/TESTED BY

Manufacturer/制造商		
核准/APPROVED BY	审核/CHECKED BY	制定/MAKER
		黄文秀

深圳市玖洲宝科技有限公司

Shenzhen Jiuzhou Power Technology Co., Ltd.

地址: 中国深圳市宝安区沙井街道和一兴业路金美威工业园第一栋第四层

Add:4/F,Block 1,Jinmeiwei Industrial Park,West of Xingye Road,Shajing Street,Baoan District,Shenzhen ,Guangdong,P. R. China

Tel: 86-755-89806202

Fax: 86-755-22642864

联系人;

E-mail:

Website: www.jzbtech.com

深圳市玖洲宝科技有限公司  
Shenzhen Jiuzhou Power Technology Co., Ltd.

1、描述/ DESCRIPTION:

该开关式电源的连续输出功率为 15W.

The S.M.P.S should be capable of a total continuous DC power output of 15 W atts.

2、输入特性/INPUT CHARACTERISTICS:

2.1 输入电压/Input Voltage:

额定电压/Rated Voltage: 100-240 Vac

调整范围/Variation Range: 90-264 Vac

2.2 输入频率/Input Frequency:

额定频率/ Rated Frequency: 50-60 Hz.

调整频率/Variation Frequency: 47-63 Hz

2.3 输入电流/Input Current:

当输入交流电压为额定值的下限电压负载满载时,最大输入交流电流 0.6 A.

0.6 Amps max At any input voltage and rated, DC output rated load.

2.4 浪涌电流/Inrush Current:

冲击电流峰值在额定电压输入,冷启动(25℃)时,不大于 30A;且在任何负载和输入条件下,不导致永久性损坏或危险.

Impact current peak in the rated voltage input, cold start (25 °C), not more than 30 A; And in any load and input conditions, don't cause permanent damage or dangerous.

2.5 AC 漏电流/Ac Leakage Current:

当输入电压 240Vac 时,最大漏电流为 0.25mA./ 0.25mA Max.At240Vac input.

2.6 Stand-by power consumption  $\leq$  0.1 Watts.

待机功耗 $\leq$  0.1 W.

深圳市玖洲宝科技有限公司  
Shenzhen Jiuzhou Power Technology Co., Ltd.

3、输出特性/OUTPUT CHARACTERISTICS:

3.1 输出功率/Power output

电压 Voltage	最小负载 Min. Load	额定负载 Rated. Load	输出功率 Output power
<b>5Vdc</b>	<b>0.01A</b>	<b>3A</b>	<b>15W</b>

3.2 输出特性/Output Characteristics

电压 Voltage	最小负载 Min. Load	额定负载 Rated. Load	电压范围 Voltage Range	
			空载电压 (V)	负载电压 (V)
<b>5Vdc</b>	<b>0.01A</b>	<b>3A</b>	<b>4.75-5.35</b>	<b>4.75-5.35</b>

3.3 纹波和噪音 Ripple and Noise:

测试条件:在输入 115/230Vac 25°C 和输出最小及最大负载时, 使用示波器带宽为 20MHz 连接到适配器的输出端, 同时输出端并联一个 47uF 的电解电容和一个 0.1uF 的瓷片电容.

At 115/230Vac 25°C input and output Min and Max.Load,the ripple and noise are as follows when measure with Max.Bandwidth of 20MHz and Parallel 47uF/0.1uF,crossed connected at testing point.

电压	最大纹波/最大噪音
<u>Voltage</u>	<u>Ripple and Noise(Max.)</u>
<b>+5Vdc</b>	<b>120 mV p-p</b>

3.4 启动延迟时间/Turn on delay time:

当输入 100Vac 和输出最大负载时,最大启动时间为 3 S.  
3 Second Max.at 100Vac input and output Max.load.

3.5 保持时间/Hold up time:

当输入 115Vac 和输出最大负载时,最小保持时间为 5 mS .  
5 mS Min.at 115Vac input and output Max.Load.

3.6 效率/Efficiency:

当 115/230Vac 输入电压时, 1/4, 1/2, 3/4 和满载计算平均效率, 最小 81.38%, 适配器满足能效 VI 81.38%Min,At 115/230Vac input voltage,1/4, 1/2, 3/4 and full load calculation average efficiency.Adapter meet efficiency lever VI .

**深圳市玖洲宝科技有限公司**  
Shenzhen Jiuzhou Power Technology Co., Ltd.

**4、保护功能/PROTECTION FUNCTION:**

**4.1 短路电路保护/Short circuit protection:**

该电源供给器在短路解除时能正常工作恢复.

**The power supply will be auto recovered when short circuit faults remove.**

**4.2 过流保护/Over current Protection:**

过流故障排除后,电源将自动恢复正常工作.

**The power supply will be auto recovered when over current faults remove.**

**5、环境要求/ENVIRONMENTAL REQUIREMET:**

**5.1 工作温度/Operating Temperature:**

0℃-35℃,满载,正常工作.

**0℃ to 35℃,Full load, Normal operation.**

**5.2 储藏温度/Storage Temperature:-20℃ to 60℃**

带外壳/With package

**5.3 工作湿度/Relative Humidity:**

5%(0℃)~90%(40℃),72 小时,满载,正常工作.

**5%(0℃)~90%(40℃)RH,72Hrs,Full load, Normal operating.**

**5.4 振动/Vibration:**

**1. 测试标准:国际电工电子委员会**

**Operating: IEC 721-3-3 3M3**

**5~9Hz,A=1.5mm**

**加速度(9~200Hz,Acceleration 5m/S<sup>2</sup>)**

**2. 运输/Transportation:**

**IEC 721-3-2 2M2**

**5-9Hz,A=3.5mm**

**9~200Hz,加速度 Acceleration=5m/S<sup>2</sup>**

**200~500Hz,加速度 Acceleration=15m/S<sup>2</sup>**

**3. 轴向振动/Axes,10 cycles per axis.**

在测试过程中不能出现永久性的损坏.

**No permanent damage may occur during testing.**

在电源开启和关闭后,样机能够恢复到最初条件.

**The SAMPLE has to restore to its original situation after power off/on..**

### 5.5 跌落试验/Dropping Packed:

插墙式跌落高度为 1 米、桌面式跌落高度为 760mm、6 个面各跌一次

1M for wallmount type and 760mm for desktop type as above described, 6 surfaces or one

测试台面是厚 13mm 的夹木板, 离地面高 19-20mm

The horizontal surface Consists of hardwood at least 13mm thick,mounted on two layers of plywood each 19mm to 20mm thick,all supported on a concrete or equivalent non-resilient floor.

### 6、安全要求/SAFETY REQUIREMENT:

#### 6.1 主熔断器/ MAIN FUSE

2 Ω 保险电阻 Safety Resistor is 2 Ω

#### 6.2 安全: 符合标准 EN60950 ; Safety:accord standard with EN60950 ;

电磁兼容标准 EMC-Specification : EN55032 ;

1. 干扰噪声抑制标准 Noise-suppressed acc : EN55035 ;

2.谐波电流的抑制标准 Harmonic current measurement acc : EN61000-3-2 ;

3.抗静电的承受标准 Immunity to electrostatic discharge(ESD)acc:EN61000-4-2 ;

空气放电 Air discharge: ±8KV ; 接触放电 Contact discharge: ± 4KV ;

4.抗干扰抑制标准 Immunity to radiated electromagnetic field acc:EN61000-4-3;

测试条件 Test characteristic: 80-1000MHz; 80%AM(1KHz) 检验条件 Test level 3V/m : **A** ;

5. 抗快速脉冲群标准 Immunity to fast electric transients(burst)acc: **IEC61000-4-4**;

耦合方式 **Coupling On power supplylines** 测试条件 Test Level: **1KV** Assessment criteria 评估标准: **B** ;

6.浪涌测试标准 Surge capability acc: **IEC61000-4-5**;

浪涌电压 Surge voltage: **1KV** Assessment criteria 评估标准: **B** ;

7. 抗骚扰测试 Injected currents susceptibility acc: **IEC61000-4-6**;

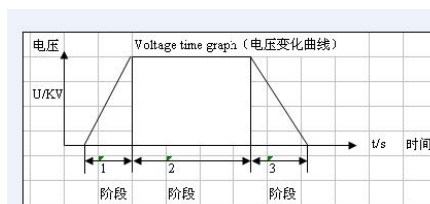
测试条件 Test Level: **3V/m** Assessment criteria 评估标准: **A** ;

#### 6.3 高压/DIELECTRIC STRENGTH Hi-Pot:

输入对输出/INPUT to OUTPUT :3000Vac/5mA/60S or 4242Vdc/5mA/60S for type test.

(批量生产时/Batch production: 3000Vac/5mA/3S)

1. Between input and output <输入 (2pin 脚短路) ---输出 (正, 负极短路)



2. 电压输出变化曲线 Voltage time graph

深圳市玖洲宝科技有限公司  
Shenzhen Jiuzhou Power Technology Co., Ltd.

6.4 绝缘抗阻/Insulation resistance:

输入对输出/INPUT to OUTPUT  $10M\Omega$  min at 500V DC.

7、结构参数/MECHANICAL REQUIREMENT: (单位: mm)

7.1 外壳/Enclosure:

外壳尺寸: L58.2x W40.6x H32.9mm;

The power supply size: L58.2x W40.6x H32.9mm;

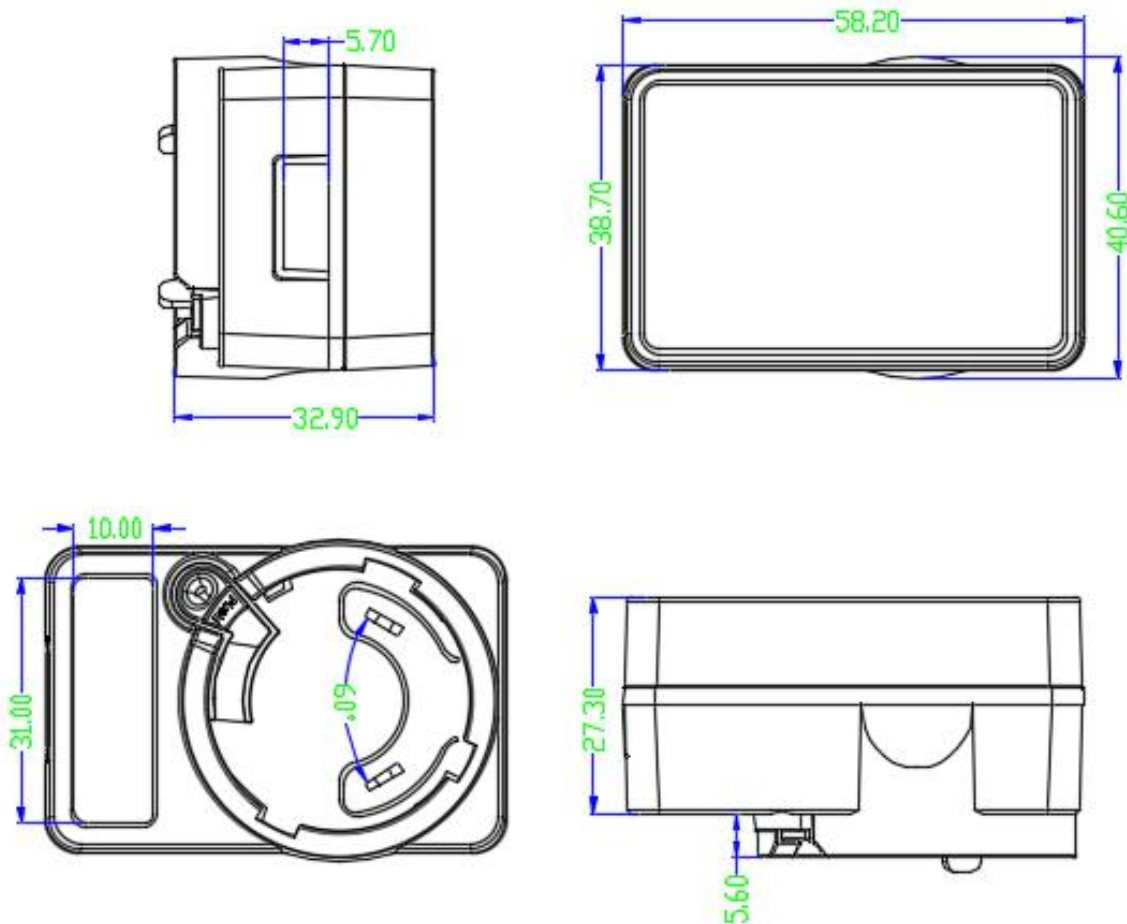
7.2 输入线/Input Connector:

2 Pin 英规、欧规、美规、插脚/Two pin input plug of BS、EU、UL、

7.3 输出/Output

DC:UL2468 22AWG 1.8M DC: 3.5\*1.35\*10mm

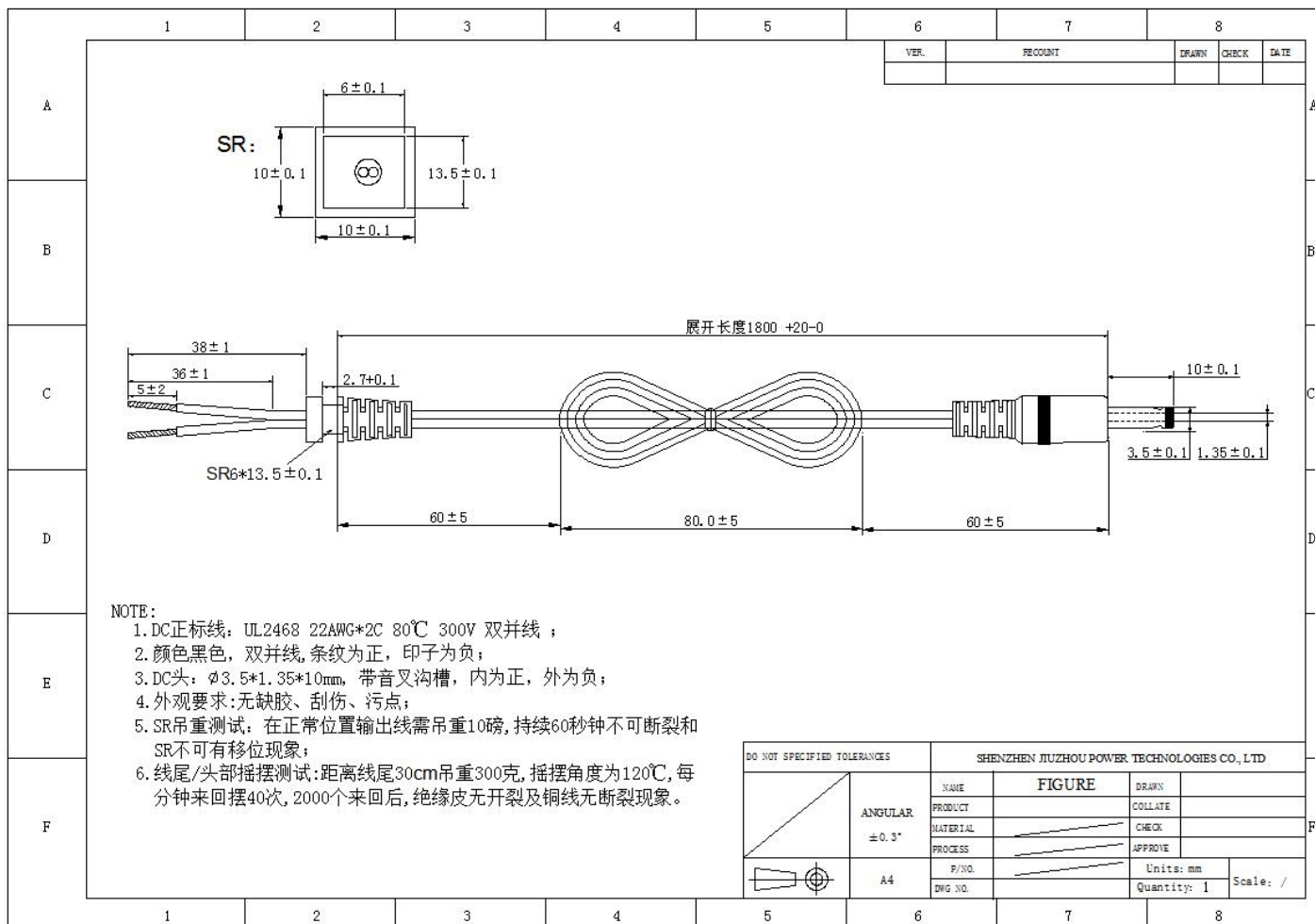
8、外观图 OUTLOOK DRAWING: mm



# 深圳市玖洲宝科技有限公司

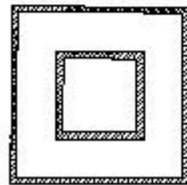
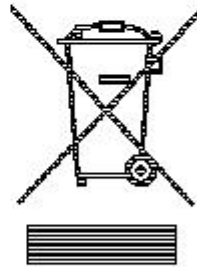
Shenzhen Jiuzhou Power Technology Co., Ltd.

## 8、线材/CORD: (单位: mm)



9、铭牌/LABEL:(单位: mm)

AC/DC ADAPTER  
MODEL :J151-0502000IX  
INPUT :100-240V~ 50/60Hz 0.6A  
OUTPUT :5.0V---2.0A 10.0W



XXYY

居中镭射 灰色字



**深圳市玖洲宝科技有限公司**  
Shenzhen Jiuzhou Power Technology Co., Ltd.

**11.样品测试报告/ SAMPLES ELECTRICAL TEST REPORT :**

**玖洲宝电子有限公司**

**样品测试报告/SAPLES TEST REPORT**

产品型号 Model no	J151	样品单号 Part No		日期 Date	2020/5/11						
输入电压/频率Input volt/Freq	100~240V 47~63HZ	输出电压/电流 Output volt/Amp	5V3A								
测试内容 Test content		1#样品/Sample No		2#样品/Sample No		判定 PASS/ NG					
NO	测试项目 Test item	测试标准 SPEC	115VAC	230VAC	115VAC	230VAC					
1	空载电压 Unload voltage	4.75-5.35V	5.19	5.18							
2	空载纹波与噪声 UnLoad ripple noise	<120mV	23.2	33.6							
3	满载电压 Rated load ouput voltage	4.75-5.35V	4.93	4.93							
4	满载纹波与噪声 Rated Load ripple noise	<120mV	57.6	62.4							
5	额定输入电流 Rated input current	≅0.6	0.281	0.187							
10	短路保护 Shortcircuit protection		OK	OK							
11	过流保护 Over current protection	3.3-4.5A	3.4	3.26							
14	介电强度测试 Hi-pot test	AC3.0KV 60S	<5mA	泄漏电流:							
15	绝缘阻抗 Insulation resistance	DC500V 5S	>10MΩ	绝缘阻抗:							
16	输入/Input		输出/Output				能源之星/Energy star		VI		
	电压/Voltage	功率 PIN(W)	负载 LOAD (%)	电压Vout (V)	电流 Iout (A)	功率 WATT (W)	效率 EFF%	平均效率 average eff%	能效标准 VI spec	空载功耗 Standby power (w)	
	115Vac	18.3	100%	4.928	3	14.78	80.76	82.99%	81.39	0.049	
		13.69	75%	5.038	2.25	11.34	82.83				
		9.03	50%	5.049	1.5	7.57	83.83				
		4.53	25%	5.105	0.75	3.83	84.54				
	230Vac	18.14	100%	4.94	3	14.81	81.64	82.85%	81.39	0.069	
		13.66	75%	5.028	2.25	11.32	82.87				
		9.09	50%	5.062	1.5	7.59	83.49				
		4.58	25%	5.1	0.75	3.82	83.4				
	17	AC100V/240V满载老化测试 Rated load burn in test at 100/240VAC		≥8 hours	无损坏NO damage:				OK	<input type="checkbox"/> NG	<input type="checkbox"/>
	测试/Tested by		核准/Checked by		批准/Approval by						