

样品承认书



SAMPLES SPECIFICATION FOR APPROVAL

Switching power Supply/开关电源

客 户:

CUSTOMER: _____

产品描述:

DESCRIPTION: Input:100-240V ~ 50-60Hz Output: **DC5V2A**

机种型号:

OUR MODEL NO: _____ **J151-0502000IX** _____

样品编号:

日期:

SAMPLE NO: _____

DATE: 2020-07-30

客户编码:

产品颜色/SAMPLE COLOR:

Customer part number: _____ **Black** **White**

APPROVAL SIGNATURE/客户确认

核准/APPROVED BY	审核/CHECKED BY	检测/TESTED BY

Manufacturer/制造商

核准/APPROVED BY	审核/CHECKED BY	制定/MAKER
		黄文秀

深圳市玖洲宝科技有限公司

Shenzhen Jiuzhou Power Technology Co., Ltd.

地址: 中国深圳市宝安区沙井街道和一兴业路金美威工业园第一栋第四层

Add:4/F,Block 1,Jinmeiwei Industrial Park,West of Xingye Road,Shajing Street,Baoan District,Shenzhen ,Guangdong,P. R. China

Tel: 86-755-89806202

Fax: 86-755-22642864

联系人;

E-mail:

Website: www.jzbtech.com

深圳市玖洲宝科技有限公司
Shenzhen Jiuzhou Power Technology Co., Ltd.

1、描述/ DESCRIPTION:

该开关式电源的连续输出功率为 10W.

The S.M.P.S should be capable of a total continuous DC power output of 10 W atts.

2、输入特性/INPUT CHARACTERISTICS:

2.1 输入电压/Input Voltage:

额定电压/Rated Voltage: 100-240 Vac

调整范围/Variation Range: 90-264 Vac

2.2 输入频率/Input Frequency:

额定频率/ Rated Frequency: 50-60 Hz.

调整频率/Variation Frequency: 47-63 Hz

2.3 输入电流/Input Current:

当输入交流电压为额定值的下限电压负载满载时,最大输入交流电流 0.6 A.

0.6 Amps max At any input voltage and rated, DC output rated load.

2.4 浪涌电流/Inrush Current:

冲击电流峰值在额定电压输入,冷启动(25℃)时,不大于 30A;且在任何负载和输入条件下,不导致永久性损坏或危险.

Impact current peak in the rated voltage input, cold start (25 °C), not more than 30 A; And in any load and input conditions, don't cause permanent damage or dangerous.

2.5 AC 漏电流/Ac Leakage Current:

当输入电压 240Vac 时,最大漏电流为 0.25mA./ 0.25mA Max.At240Vac input.

2.6 Stand-by power consumption ≤ 0.1 Watts.

待机功耗 ≤ 0.1 W.

深圳市玖洲宝科技有限公司
Shenzhen Jiuzhou Power Technology Co., Ltd.

4、保护功能/PROTECTION FUNCTION:

4.1 短路电路保护/Short circuit protection:

该电源供给器在短路解除时能正常工作恢复.

The power supply will be auto recovered when short circuit faults remove.

4.2 过流保护/Over current Protection:

过流故障排除后,电源将自动恢复正常工作.

The power supply will be auto recovered when over current faults remove.

5、环境要求/ENVIRONMENTAL REQUIREMET:

5.1 工作温度/Operating Temperature:

0℃-35℃,满载,正常工作.

0℃ to 35℃,Full load, Normal operation.

5.2 储藏温度/Storage Temperature:-20℃ to 60℃

带外壳/With package

5.3 工作湿度/Relative Humidity:

5%(0℃)~90%(40℃),72 小时,满载,正常工作.

5%(0℃)~90%(40℃)RH,72Hrs,Full load, Normal operating.

5.4 振动/Vibration:

1. 测试标准:国际电工电子委员会

Operating: IEC 721-3-3 3M3

5~9Hz,A=1.5mm

加速度(9~200Hz,Acceleration 5m/S²)

2. 运输/Transportation:

IEC 721-3-2 2M2

5-9Hz,A=3.5mm

9~200Hz,加速度 Acceleration=5m/S²

200~500Hz,加速度 Acceleration=15m/S²

3. 轴向振动/Axes,10 cycles per axis.

在测试过程中不能出现永久性的损坏.

No permanent damage may occur during testing.

在电源开启和关闭后,样机能够恢复到最初条件.

The SAMPLE has to restore to its original situation after power off/on..

5.5 跌落试验/Dropping Packed:

插墙式跌落高度为 1 米、桌面式跌落高度为 760mm、6 个面各跌一次

1M for wallmount type and 760mm for desktop type as above described, 6 surfaces or one

测试台面是厚 13mm 的夹木板, 离地面高 19-20mm

The horizontal surface Consists of hardwood at least 13mm thick,mounted on two layers of plywood each 19mm to 20mm thick,all supported on a concrete or equivalent non-resilient floor.

6、安全要求/SAFETY REQUIREMENT:

6.1 主熔断器/ MAIN FUSE

2 Ω 保险电阻 Safety Resistor is 2 Ω

6.2 安全: 符合标准 62368 ; Safety:accord standard with 62368 ;

电磁兼容标准 EMC-Specification : EN55032 ;

1. 干扰噪声抑制标准 Noise-suppressed acc : EN55035 ;

2.谐波电流的抑制标准 Harmonic current measurement acc : EN61000-3-2 ;

3.抗静电的承受标准 Immunity to electrostatic discharge(ESD)acc:EN61000-4-2 ;

空气放电 Air discharge: ±8KV ; 接触放电 Contact discharge: ± 4KV ;

4.抗干扰抑制标准 Immunity to radiated electromagnetic field acc:EN61000-4-3;

测试条件 Test characteristic: 80-1000MHz; 80%AM(1KHz) 检验条件 Test level 3V/m : **A** ;

5. 抗快速脉冲群标准 Immunity to fast electric transients(burst)acc: **IEC61000-4-4**;

耦合方式 Coupling **On power supplylines** 测试条件 Test Level: **1KV** Assessment criteria 评估标准: **B** ;

6.浪涌测试标准 Surge capability acc: **IEC61000-4-5**;

浪涌电压 Surge voltage: **1KV** Assessment criteria 评估标准: **B** ;

7. 抗骚扰测试 Injected currents susceptibility acc: **IEC61000-4-6**;

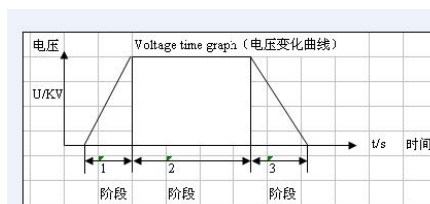
测试条件 Test Level: **3V/m** Assessment criteria 评估标准: **A** ;

6.3 高压/DIELECTRIC STRENGTH Hi-Pot:

输入对输出/INPUT to OUTPUT :3000Vac/5mA/60S or 4242Vdc/5mA/60S for type test.

(批量生产时/Batch production: 3000Vac/5mA/3S)

1.Between input and output <输入 (2pin 脚短路) ---输出 (正, 负极短路)



2.电压输出变化曲线 Voltage time graph

深圳市玖洲宝科技有限公司
Shenzhen Jiuzhou Power Technology Co., Ltd.

6.4 绝缘抗阻/Insulation resistance:

输入对输出/INPUT to OUTPUT $10M\Omega$ min at 500V DC.

7、结构参数/MECHANICAL REQUIREMENT: (单位: mm)

7.1 外壳/Enclosure:

外壳尺寸: L58.2x W40.6x H32.9mm;

The power supply size: L58.2x W40.6x H32.9mm;

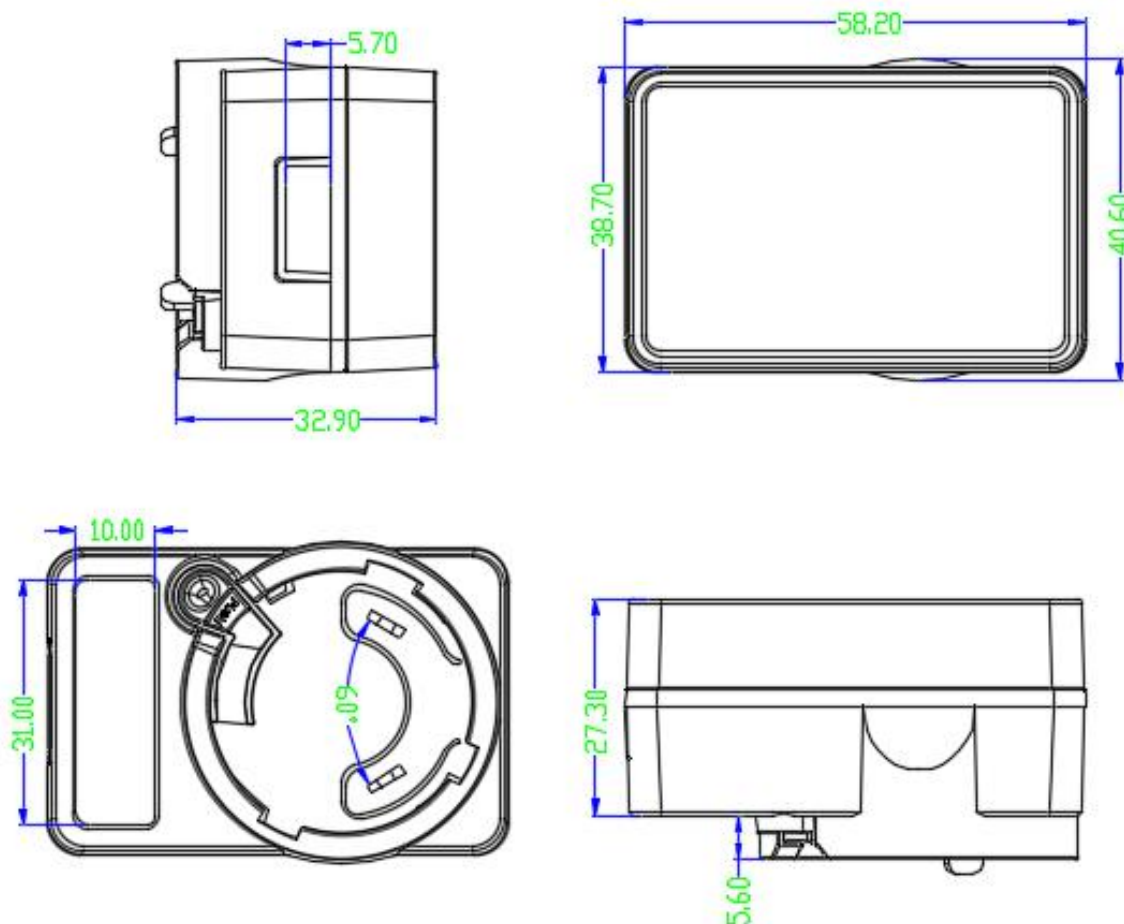
7.2 输入线/Input Connector:

2 Pin 英规、欧规、美规、澳规 日规 印度规 插脚/Two pin input plug of BS、EU、UL、SAA BIS PSE

7.3 输出/Output

DC:UL2464 22AWG 1.8M DC: 5.5*2.1*10mm

8、外观图 OUTLOOK DRAWING: mm

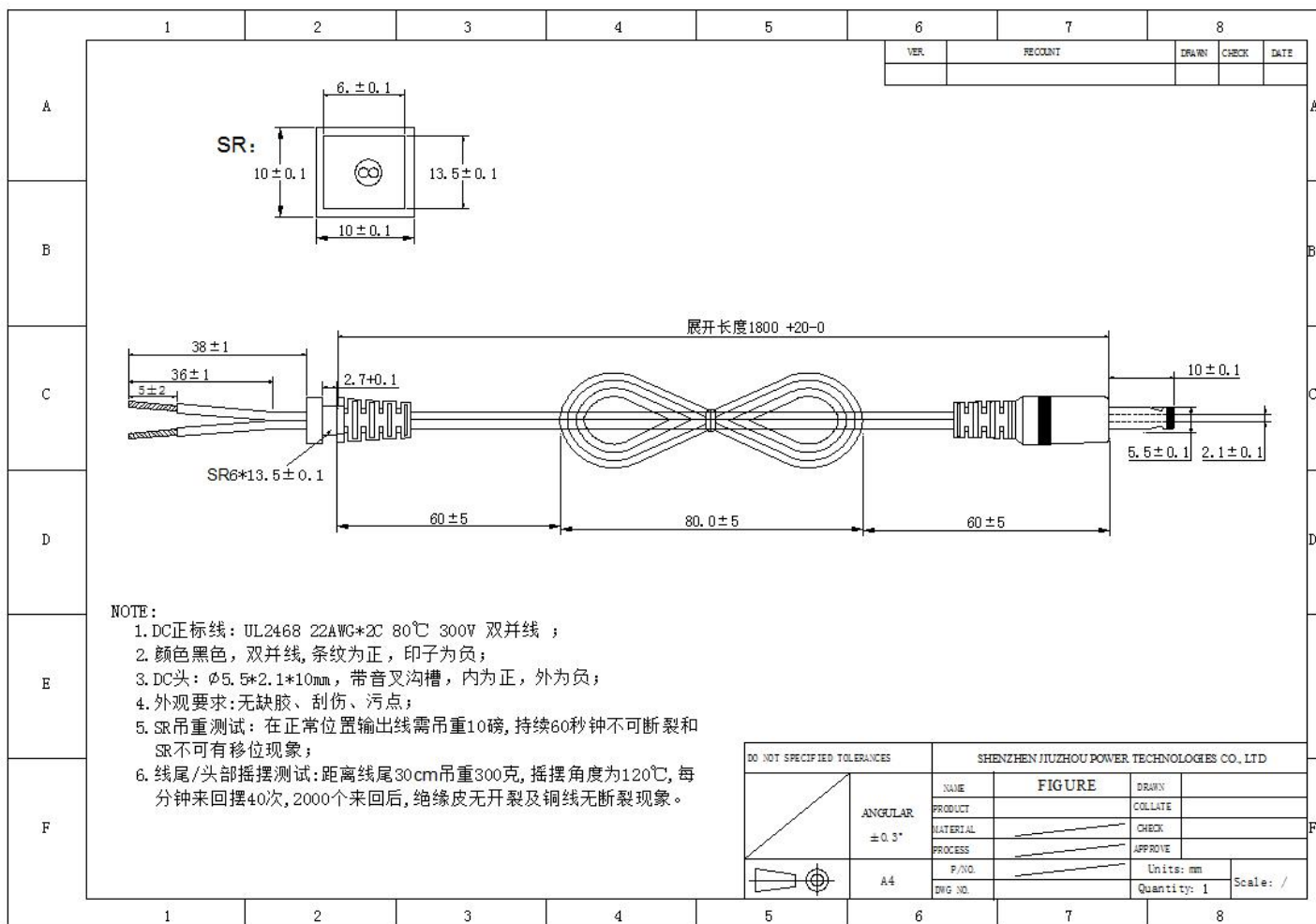




深圳市玖洲宝科技有限公司

Shenzhen Jiuzhou Power Technology Co., Ltd.

8、线材/CORD: (单位: mm)



9、铭牌/LABEL: (单位: mm)

居中镭射 灰色字

深圳市玖洲宝科技有限公司
Shenzhen Jiuzhou Power Technology Co., Ltd.

11.样品测试报告/ SAMPLES ELECTRICAL TEST REPORT :

玖洲宝科技有限公司

样品测试报告/SAPLES TEST REPORT

		J151	样品单号 Part No		日期 Date		2020/7/30				
输入电压/频率 Input volt/Freq		100~240V 47~63HZ		输出电压/电流 Output volt/Amp		5V2A					
测试内容 Test content			1#样品/Sample No		2#样品/Sample No			判定 PASS/ NG			
NO	测试项目 Test item	测试标准 SPEC	115VAC	230VAC	115VAC	230VAC					
1	空载电压 Unload voltage	4.75-5.35V	5.27	5.24							
2	空载纹波与噪声 UnLoad ripple noise	<120mV	52.1	48.8							
3	满载电压 Rated load output voltage	4.75-5.35V	5.12	5.13							
4	满载纹波与噪声 Rated Load ripple noise	<120mV	58.4	61.6							
5	额定输入电流 Rated input current		204.5	143.6							
10	短路保护 Shortcircuit protection		OK	OK							
11	过流保护 Over current protection	1.2倍以上	2.38	2.45							
14	介电强度测试 Hi-pot test	AC3.0KV 60S	<5mA	泄漏电流:							
15	绝缘阻抗 Insulation resistance	DC500V 5S	>10MΩ	绝缘阻抗:							
16	输入/Input		输出/Output				能源之星/Energy star			VI	
	电压/Voltage	功率 PIN(W)	负载 LOAD (%)	电压Vout (V)	电流 Iout (A)	功率 WATT (W)	效率 EFF%	平均效率 average eff%	能效标准 VI spec	空载功耗 Standby power (w)	
	115Vac	12.86	100%	5.118	2	10.24	29.62	81.78%		0.038	
		9.42	75%	5.11	1.5	7.66	81.31				
		6.14	50%	5.086	1	5.08	82.73				
		3.03	25%	5.071	0.5	2.53	83.49				
	230Vac	12.82	100%	5.138	2	10.28	80.18	80.88%		0.065	
		9.46	75%	5.105	1.5	7.66	80.93				
		6.24	50%	5.09	1	5.09	81.57				
		3.13	25%	5.064	0.5	2.53	80.83				
	17	AC100V/240V满载老化测试 Rated load burn in test at 100/240VAC		≥8 hours	无损坏NO damage:				OK	<input type="checkbox"/> NG	<input type="checkbox"/>
	测试/Tested by		核准/Checked by		批准/Approval by						