

样品承认书



SAMPLES SPECIFICATION FOR APPROVAL

Switching power Supply/开关电源

客户:

CUSTOMER: _____

产品描述:

DESCRIPTION: Input:100-240V ~ 50/60Hz Output: **DC 5V6A**

机种型号:

OUR MODEL NO: **J361-0506000DI**

样品编号:

日期:

SAMPLE NO: _____

DATE: **2019-04-24**

客户编码:

产品颜色/SAMPLE COLOR:

Customer part number: _____ **Black** **White**

APPROVAL SIGNATURE/客户确认		
核准/APPROVED BY	审核/CHECKED BY	检测/TESTED BY

Manufacturer/制造商		
核准/APPROVED BY	审核/CHECKED BY	制定/MAKER

深圳市玖洲宝科技有限公司

Shenzhen Jiu Zhou Power Technology Co., Ltd.

地址: 中国深圳市宝安区沙井街道和一兴业路金美威工业园第一栋第四层

Add: 4thFloor, Block 1, Jinmeiwei Industrial Road, Heyi, Shajing Town, Bao' an District, Shenzhen

Tel: 86-755-89806202

Fax: 86-755- 22642864

E-mail:

Website: www.jzbtech.com

深圳市玖洲宝科技有限公司

Shenzhen Jiu Zhou Power Technology Co., Ltd

1、描述/ DESCRIPTION:

该开关式电源的连续输出功率为 30W.

The S.M.P.S should be capable of a total continuous DC power output of 30W atts.

2、输入特性/INPUT CHARACTERISTICS:

2.1 输入电压/Input Voltage:

额定电压/Rated Voltage: 100-240 Vac

调整范围/Variation Range: 90-264 Vac

2.2 输入频率/Input Frequency:

额定频率/ Rated Frequency: 50-60 Hz.

调整频率/Variation Frequency: 47-63 Hz

2.3 输入电流/Input Current:

当输入交流电压为额定值的下限电压负载满载时,最大输入交流电流 1.5 A.

1.5 Amps max At any input voltage and rated, DC output rated load.

2.4 浪涌电流/Inrush Current:

冲击电流峰值在额定电压输入,冷启动(25℃)时,不大于 50A;且在任何负载和输入条件下,不导致永久性损坏或危险.

Impact current peak in the rated voltage input, cold start (25 °C), not more than 50 A; And in any load and input conditions, don't cause permanent damage or dangerous.

2.5 AC 漏电流/Ac Leakage Current:

当输入电压 240Vac 时,最大漏电流为 0.25mA./ 0.25mA Max.At240Vac input.

2.6 Stand-by power consumption ≤ 0.1 Watts.

待机功耗 ≤ 0.1 W.

深圳市玖洲宝科技有限公司

Shenzhen Jiu Zhou Power Technology Co., Ltd

3、输出特性/OUTPUT CHARACTERISTICS:

3.1 输出功率/Power output

电压 Voltage	最小负载 Min. Load	额定负载 Rated. Load	输出功率 Output power
5Vdc	0.01A	6A	30W

3.2 输出特性/Output Characteristics

电压 Voltage	最小负载 Min. Load	额定负载 Rated. Load	电压范围 Voltage Range	
5Vdc	0.01A	6A	空载电压 (V)	负载电压 (V)
			4.75-5.35	4.75-5.35

3.3 纹波和噪音 Ripple and Noise:

测试条件:在输入 115/230Vac 25℃和输出最小及最大负载时,使用示波器带宽为 20MHz 连接到适配器的输出端,同时输出端并联一个 47uF 的电解电容和一个 0.1uF 的瓷片电容.

At 115/230Vac 25℃ input and output Min and Max.Load,the ripple and noise are as follows when measure with Max.Bandwidth of 20MHz and Parallel 47uF/0.1uF,crossed connected at testing point.

电压	最大纹波/最大噪音
<u>Voltage</u>	<u>Ripple and Noise(Max.)</u>
+5Vdc	120mV p-p

3.4 启动延迟时间/Turn on delay time:

当输入 100Vac 和输出最大负载时,最大启动时间为 3 S.

3 Second Max.at 100Vac input and output Max.load.

3.5 保持时间/Hold up time:

当输入 115Vac 和输出最大负载时,最小保持时间为 5 mS .

5 mS Min.at 115Vac input and output Max.Load.

3.6 效率/Efficiency:

当 115/230Vac 输入电压时, 1/4, 1/2, 3/4 和满载计算平均效率, 最小 81.61%, 适配器满足能效 V .

88.61%Min,At 115/230Vac input voltage,1/4, 1/2, 3/4 and full load calculation average efficiency.Adapter meet efficiency lever VI .

深圳市玖洲宝科技有限公司

Shenzhen Jiu Zhou Power Technology Co., Ltd

4、保护功能/PROTECTION FUNCTION:

4.1 短路电路保护/Short circuit protection:

该电源供给器在短路解除时能正常工作恢复.

The power supply will be auto recovered when short circuit faults remove.

4.2 过流保护/Over current Protection:

过流故障排除后,电源将自动恢复正常工作.

The power supply will be auto recovered when over current faults remove.

5、环境要求/ENVIRONMENTAL REQUIREMET:

5.1 工作温度/Operating Temperature:

0℃-40℃,满载,正常工作.

0℃ to 40℃,Full load, Normal operation.

5.2 储藏温度/Storage Temperature:-20℃ to 60℃

带外壳/With package

5.3 工作湿度/Relative Humidity:

5%(0℃)~90%(40℃),72 小时,满载,正常工作.

5%(0℃)~90%(40℃)RH,72Hrs,Full load, Normal operating.

5.4 振动/Vibration:

1. 测试标准:国际电工电子委员会

Operating: IEC 721-3-3 3M3

5~9Hz,A=1.5mm

加速度(9~200Hz,Acceleration 5m/S²)

2. 运输/Transportation:

IEC 721-3-2 2M2

5-9Hz,A=3.5mm

9~200Hz,加速度 Acceleration=5m/S²

200~500Hz,加速度 Acceleration=15m/S²

3. 轴向振动/Axes,10 cycles per axis.

在测试过程中不能出现永久性的损坏.

No permanent damage may occur during testing.

在电源开启和关闭后,样机能够恢复到最初条件.

The SAMPLE has to restore to its original situation after power off/on..

深圳市玖洲宝科技有限公司

Shenzhen Jiu Zhou Power Technology Co., Ltd

5.5 跌落试验/Dropping Packed:

插墙式跌落高度为 1 米、桌面式跌落高度为 760mm、6 个面各跌一次

1M for wallmount type and 760mm for desktop type as above described, 6 surfaces or one
测试台面是厚 13mm 的夹木板, 离地面高 19-20mm

The horizontal surface Consists of hardwood at least 13mm thick,mounted on two layers of plywood
each 19mm to 20mm thick,all supported on a concrete or equivalent non-resilient floor.

6、安全要求/SAFETY REQUIREMENT:

6.1 主熔断器/ MAIN FUSE

3.15A250VAC 保险丝 Fuse 3.15A250VAC

6.2 安全: 符合标准 GB4943 ; Safety:accord standard with GB4943 ;

电磁兼容标准 EMC-Specification : GB17625 ;

1. 干扰噪声抑制标准 Noise-suppressed acc : GB/T9254;

2.谐波电流的抑制标准 Harmonic current measurement acc : IEC61000-3-2 ;

3.抗静电的承受标准 Immunity to electrostatic discharge(ESD)acc:IEC61000-4-2 ;

空气放电 Air discharge: ±8KV ; 接触放电 Contact discharge:± 4KV ;

4.抗干扰抑制标准 Immunity to radiated electromagnetic field acc:IEC61000-4-3;

测试条件 Test characteristic: 80-1000MHz; 80%AM(1KHz) 检验条件 Test level 3V/m : **A** ;

5. 抗快速脉冲群标准 Immunity to fast electric transients(burst)acc: IEC61000-4-4;

耦合方式 Coupling **On power supplylines** 测试条件 Test Level: **1KV** Assessment criteria 评估标准: **B** ;

6.浪涌测试标准 Surge capability acc: IEC61000-4-5;

浪涌电压 Surge voltage: **1KV** Assessment criteria 评估标准: **B** ;

7. 抗骚扰测试 Injected currents susceptibility acc: IEC61000-4-6;

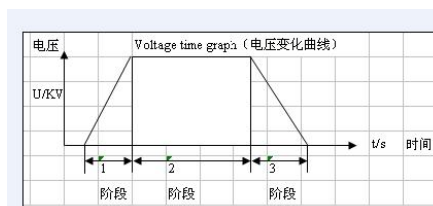
测试条件 Test Level: **3V/m** Assessment criteria 评估标准: **A** ;

6.3 高压/DIELECTRIC STRENGTH Hi-Pot:

输入对输出/INPUT to OUTPUT :3000Vac/5mA/60S or 4242Vdc/5mA/60S for type test.

(批量生产时/Batch production: 3000Vac/5mA/3S)

1. Between input and output <输入 (2pin 脚短路) ---输出 (正, 负极短路)



2. 电压输出变化曲线 Voltage time graph

深圳市玖洲宝科技有限公司

Shenzhen Jiu Zhou Power Technology Co., Ltd

6.4 绝缘抗阻/Insulation resistance:

输入对输出/INPUT to OUTPUT $10M\Omega$ min at 500V DC.

7、结构参数/MECHANICAL REQUIREMENT: (单位: mm)

7.1 外壳/Enclosure:

外壳尺寸: L100x W46x H32mm;

The power supply size:L100x W46x H32mm;

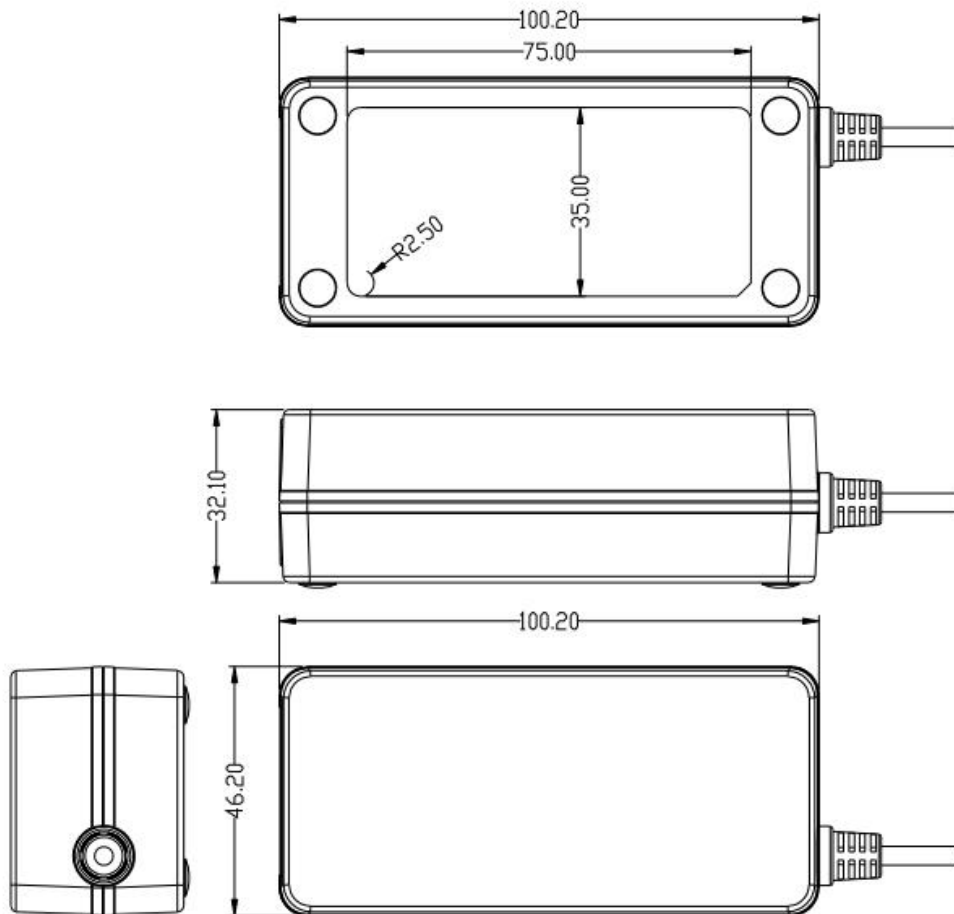
7.2 输入线/Input Connector:

桌面式品字尾

7.3 输出/Output

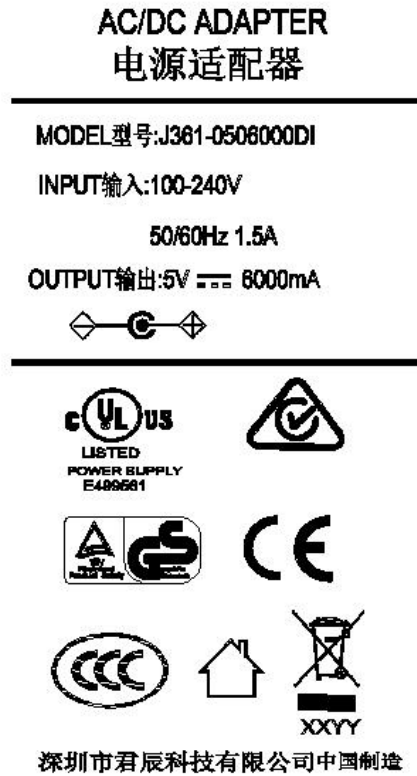
DC:UL2464 18AWG 1.2M DC:5.5*2.5*10MM 直头音叉

8、外观图 OUTLOOK DRAWING: mm



深圳市玖洲宝科技有限公司
Shenzhen Jiu Zhou Power Technology Co., Ltd

9、铭牌/LABEL:(单位: mm)



居中镭射 灰色字

深圳市玖洲宝科技有限公司

Shenzhen Jiu Zhou Power Technology Co., Ltd

11、样品测试报告/ SAMPLES ELECTRICAL TEST REPORT :